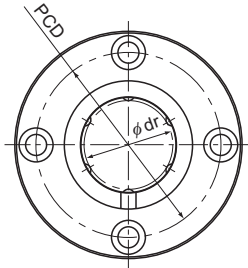
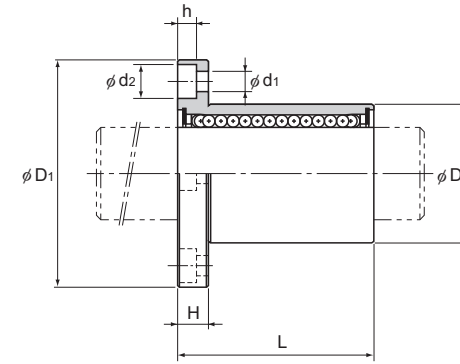


Model LMF



Model LMF



Unit: mm

Model No.	Ball rows	Main dimensions								Flange perpendicularity	Eccentricity (max)	Radial clearance tolerance	Basic load rating		Mass g			
		Inscribed bore diameter		Outer diameter		Length		Flange diameter					C N	C ₀ N				
		dr	Tolerance	D	Tolerance	L	Tolerance	D ₁	Tolerance									
Standard type										H	PCD	d ₁ × d ₂ × h	μm	μm	μm			
LMF 6	4	6	0 -0.009	12	0	19	0 -0.2	28	0 -0.2	5	20	3.4 × 6.5 × 3.3	12	12	-5	206	265	23
LMF 8S	4	8		15		17		32		5	24	3.4 × 6.5 × 3.3	12	12	-5	176	225	29
LMF 8	4	8		15	24	32		5		24	3.4 × 6.5 × 3.3	12	12	-5	265	402	33	
LMF 10	4	10		19	29	39		6		29	4.5 × 8 × 4.4	12	12	-5	373	549	59	
LMF 12	4	12		21	30	42		6		32	4.5 × 8 × 4.4	12	12	-5	412	598	68	
LMF 13	4	13		23	32	43		6		33	4.5 × 8 × 4.4	12	12	-7	510	775	80	
LMF 16	5	16		28	37	48		6		38	4.5 × 8 × 4.4	12	12	-7	775	1180	126	
LMF 20	5	20		32	42	54		8		43	5.5 × 9.2 × 5.4	15	15	-9	863	1370	160	
LMF 25	6	25		40	59	62		8		51	5.5 × 9.2 × 5.4	15	15	-9	980	1570	305	
LMF 30	6	30		45	64	74		10		60	6.6 × 11 × 6.5	15	15	-9	1570	2750	422	
LMF 35	6	35	52	70	82	10	67	6.6 × 11 × 6.5	20	20	-13	1670	3140	583				
LMF 40	6	40	60	80	96	13	78	9 × 14 × 8.6	20	20	-13	2160	4020	960				
LMF 50	6	50	80	100	116	13	98	9 × 14 × 8.6	20	20	-13	3820	7940	1920				
LMF 60	6	60	90	110	134				25	25	-13	4710	10000	2720				

Note) Since this model contains a synthetic resin retainer, do not use it at temperature exceeding 80°C.
If requiring a type equipped with a seal, indicate it when placing an order.

(Example) LMF25 UU

└── Seal attached on both ends of the nut

Note) If an oil hole is required, this can be indicated by appending "OH" to the end of the model number.
For further information, contact THK.