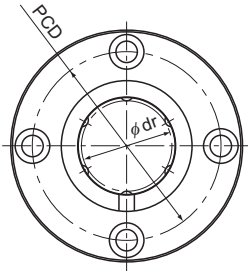
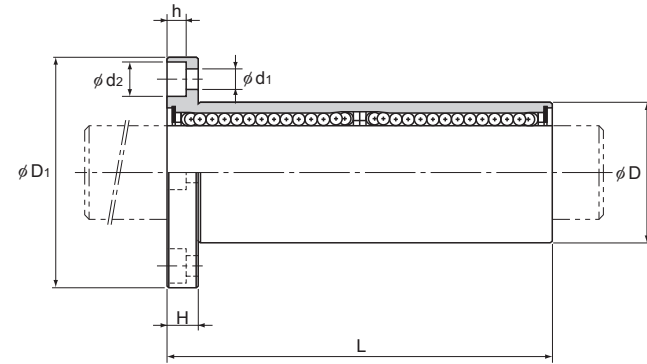


Model LMF-L



Model LMF-L



Unit: mm

Model No.	Ball rows	Main dimensions								Flange perpendicularity	Eccentricity (max)	Radial clearance tolerance	Basic load rating		Mass			
		Inscribed bore diameter		Outer diameter		Length		Flange diameter					C	C ₀				
		dr	Tolerance	D	Tolerance	L	Tolerance	D ₁	Tolerance									
Standard type										H	PCD	d ₁ × d ₂ × h	μm	μm	μm	N	N	g
LMF 6L	4	6	0 -0.010	12	0	35	0 -0.3	28	0 -0.2	5	20	3.4 × 6.5 × 3.3	15	15	-5	324	529	29
LMF 8L	4	8		15	-0.013	45		32		5	24	3.4 × 6.5 × 3.3	15	15	-5	431	784	45
LMF 10L	4	10		19	55	39		6		29	4.5 × 8 × 4.4	15	15	-5	588	1100	81	
LMF 12L	4	12		21	57	42		6		32	4.5 × 8 × 4.4	15	15	-5	657	1200	93	
LMF 13L	4	13	23	-0.016	61	43	6	33	4.5 × 8 × 4.4	15	15	-7	814	1570	115			
LMF 16L	5	16	28	70	48	6	38	4.5 × 8 × 4.4	15	15	-7	1230	2350	194				
LMF 20L	5	20	32	80	54	8	43	5.5 × 9.2 × 5.4	20	20	-9	1400	2750	250				
LMF 25L	6	25	40	-0.019	112	62	8	51	5.5 × 9.2 × 5.4	20	20	-9	1560	3140	500			
LMF 30L	6	30	45	123	74	10	60	6.6 × 11 × 6.5	20	20	-9	2490	5490	646				
LMF 35L	6	35	52	135	82	10	67	6.6 × 11 × 6.5	25	25	-13	2650	6270	930				
LMF 40L	6	40	60	0	154	96	13	78	9 × 14 × 8.6	25	25	-13	3430	8040	1488			
LMF 50L	6	50	80	-0.022	192	116	13	98	9 × 14 × 8.6	25	25	-13	6080	15900	3268			
LMF 60L	6	60	0	90	0	211	134	18	112	11 × 17.5 × 10.8	25	25	-13	7650	20000	4342		

Note) Since this model contains a synthetic resin retainer, do not use it at temperature exceeding 80°C.

If requiring a type equipped with a seal, indicate it when placing an order.

(Example) LMF35L UU

Seal attached on both ends of the nut

Note) If an oil hole is required, this can be indicated by appending "OH" to the end of the model number.

For further information, contact THK.